



# SMD Seam Crystal Units 1.6x1.2 x0.33mm 1S Series



## Features

- Extremely small SMD type crystal units.
- Application for smart phone, sip module ,variety of compact portable consumer products reference clocks.
- High reliable environmental performance

## Electrical Specifications

Item / Type

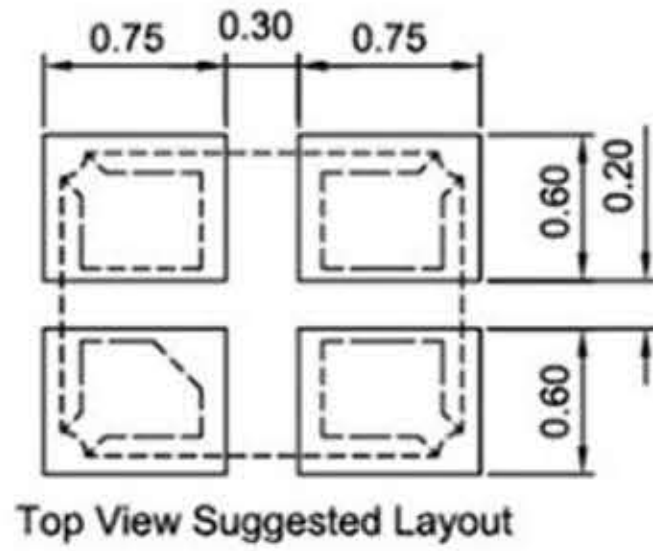
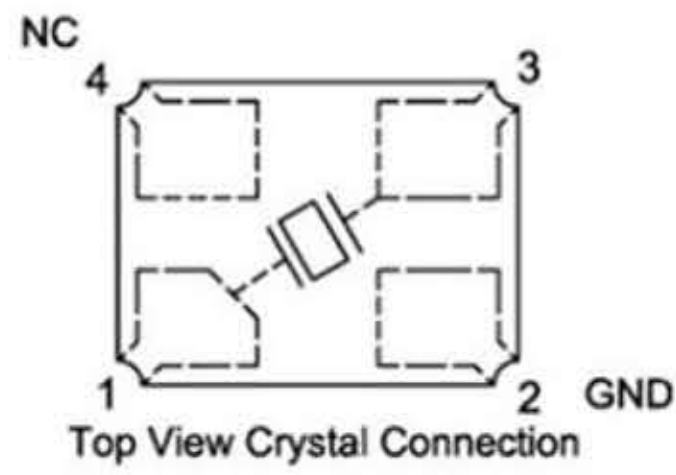
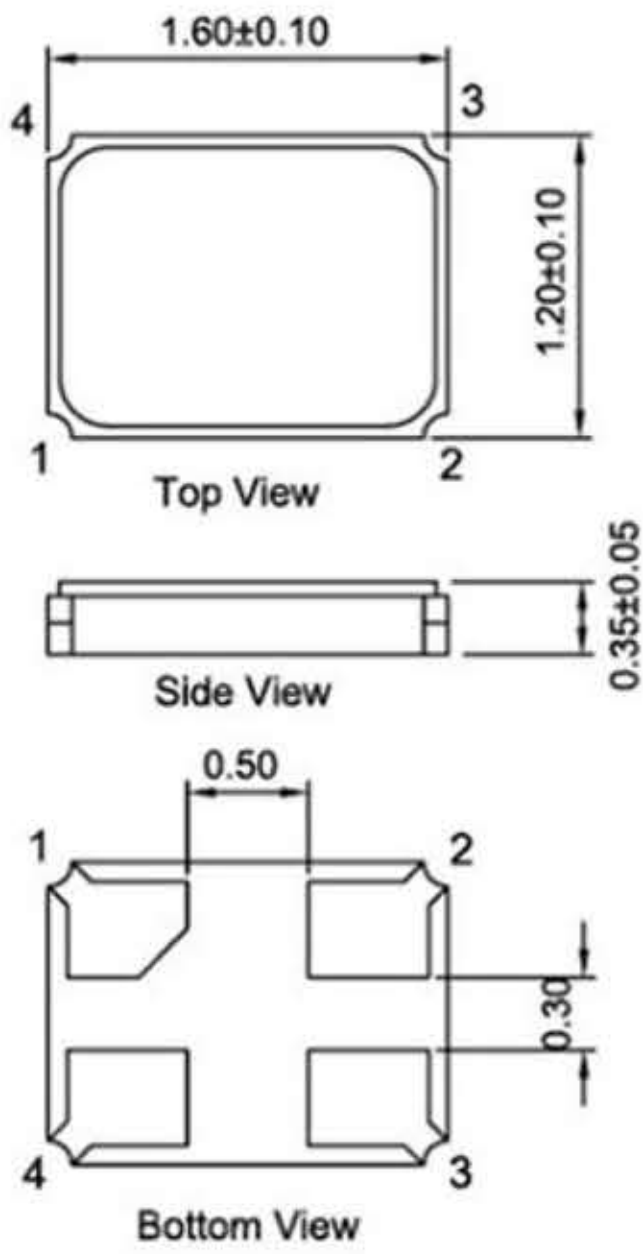
Frequency Range	30.00 ~ 54.00MHz	
Frequency Tolerance (at 25 °c)	± 20 ppm, or specify	± 10 ppm
Frequency Stability Over Operating Temperature Range	± 20 ppm, or specify	± 10 ppm
Operating Temperature Range	-30 ~ +85 °c, or specify	
Shunt Capacitance (C0)	3 pF Max. (2 pF typical)	
Drive Level	50 μW ( Max 200 μW )	
Load Capacitance	8 pF, 10 pF	12 pF, or specify
Aging (at 25 °c)	± 3 ppm	year Max.
Storage Temperature Range	- 40 ~ + 85 °c	

## Equivalent Series Resistance(ESR)

Fundamental

30.0 ~ 60 MHz	80 Ω Max.	30.0 ~ 60 MHz	80 Ω Max.
---------------	-----------	---------------	-----------

## Dimensions



Units: mm